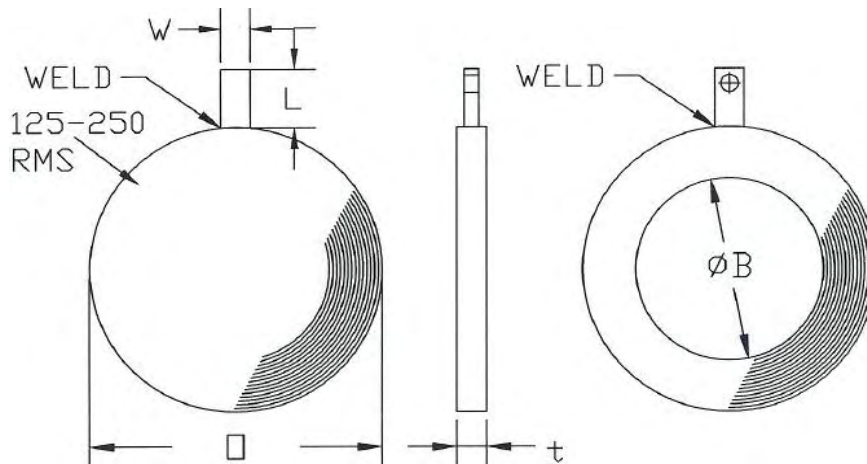


C&N is a professional manufacturer of steel forged flange, Spacer Flange, Paddle flange, Paddle spacer in China. Paddle blanks & Spacers, Spade Spacer, Spade and Spacers, SPACER & SPADE FLANGE. ANSI B16.48, Also called: Line Blinds, Spacers and Blanks, Paddle Blinds, Spade Blinds material: ASTM A516 Gr.60 A516 Gr.65 A516 Gr. 70 A240 TP304/304L, A240 TP316L

Please send inquiry to [bill@cnpipefitting.com](mailto:bill@cnpipefitting.com)

Dimension of Class 150 line blind (Spade flange) and spacer Ring



### ASME B16.48 BLINDS AND SPACERS

NPS	Inside Diameter B		Outside Diameter O		Thk t		Handle						Bld	Spr
	In.	mm.	In.	mm.	In.	mm.	t		W		L		Wgt	Wgt
1/2	0.62	16	1.75	44	0.12	3	1/8	3	1	25	4	102	0.2	0.1
3/4	0.82	21	2.12	54	0.12	3	1/8	3	1	25	4	102	0.2	0.1
1	1.05	27	2.50	64	0.12	3	1/8	3	1	25	4	102	0.2	0.1
1 1/4	1.66	42	2.88	73	0.25	6	1/8	3	1	25	4	102	0.5	0.2
1 1/2	1.90	48	3.25	83	0.25	6	1/8	3	1	25	4	102	0.6	0.3
2	2.38	60	4.00	102	0.25	6	1/8	3	1	25	4	102	0.6	0.3
2 1/2	2.88	73	4.75	121	0.25	6	1/8	3	1	25	4	102	1.2	0.6
3	3.50	89	5.25	133	0.25	6	1/8	3	1	25	4	102	1.8	0.9
3 1/2	4.00	102	6.25	159	0.38	10	1/4	6	1	25	4	102	2.2	1.1
4	4.50	114	6.75	171	0.38	10	1/4	6	1	25	4	102	2.6	1.3
5	5.56	141	7.62	194	0.38	10	1/4	6	1	25	4	102	4.4	2.2
6	6.62	168	8.62	219	0.50	13	1/4	6	1	25	4	102	6.2	3.1
8	8.62	219	10.88	276	0.50	13	1/4	6	1	25	4	102	12.7	6.4
10	10.75	273	13.25	337	0.62	16	1/2	13	1 1/2	38	6	152	21.1	10.6
12	12.75	324	16.00	406	0.75	19	1/2	13	1 1/2	38	6	152	37.3	18.6
14	14.00	356	17.62	448	0.75	19	1/2	13	1 1/2	38	6	152	52.6	26.3
16	16.00	406	20.12	511	0.88	22	1/2	13	1 1/2	38	6	152	76.6	38.3
18	18.00	457	21.50	546	1.00	25	1/2	13	1 1/2	38	6	152	92	46
20	20.00	508	23.75	603	1.12	28	1/2	13	1 1/2	38	6	152	118	59
24	24.00	610	28.12	714	1.25	32	1/2	13	1 1/2	38	6	152	203	102

**NOTE:** ASME B31.3 para.304.5.4.

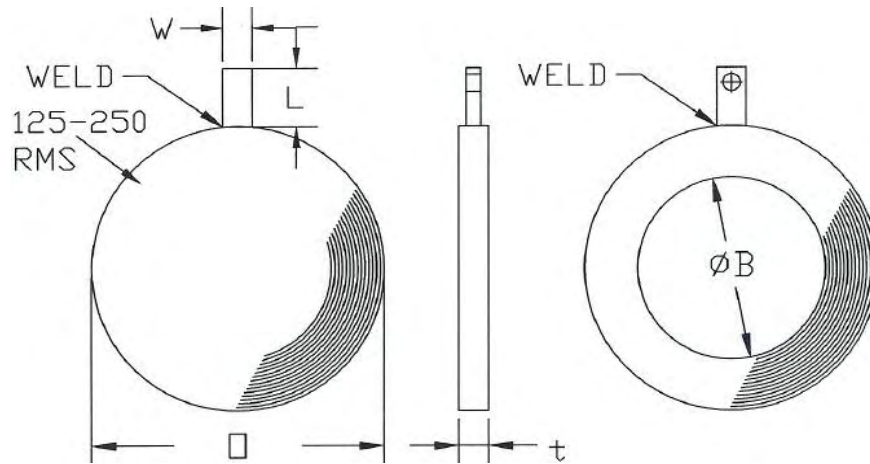
Corrosion allowance is not included in the above calculation. Thicknesses for other materials can be calculated.

Blinds, Spacers or Spectacle manufactured with thicknesses less than specified above will be verified for compliance to ASME B31.3, stamped with the maximum design parameters allowed and will be limited for that application alone.

**Tolerances:** OD + .000, - 0.125, ID + 0.125, - .000, Thickness + .062, - .000, or as specified by customer

Blinds over 100lbs will be supplied with a tee handle

Dimension of Class 300 line blind (Spade flange) and spacer Ring



ASME B16.48 BLINDS AND SPACERS

NPS	Inside Diameter B		Outside Diameter O		Thk t		Handle						Bld	Spr
	In.	mm.	In.	mm.	In.	mm.	t		W		L		Wgt	Wgt
1/2	0.62	16	2.00	51	0.25	6	1/8	3	1	25	4	102	0.33	0.17
3/4	0.82	21	2.50	64	0.25	6	1/8	3	1	25	4	102	0.33	0.17
1	1.05	27	2.75	70	0.25	6	1/8	3	1	25	4	102	0.33	0.17
1 1/4	1.66	42	3.12	79	0.25	6	1/8	3	1	25	4	102	0.6	0.3
1 1/2	1.90	48	3.62	92	0.25	6	1/8	3	1	25	4	102	0.87	0.43
2	2.38	60	4.25	108	0.38	10	1/8	3	1	25	4	102	1.2	0.6
2 1/2	2.88	73	5.00	127	0.38	10	1/8	3	1	25	4	102	1.6	0.8
3	3.50	89	5.75	146	0.38	10	1/8	3	1	25	4	102	1.93	0.97
3 1/2	4.00	102	6.38	162	0.50	13	1/4	6	1	25	4	102	3.6	1.8
4	4.50	114	7.00	178	0.50	13	1/4	6	1	25	4	102	5.19	2.6
5	5.56	141	8.38	213	0.62	16	3/8	10	1	25	4	102	9.32	4.66
6	6.62	168	9.75	248	0.62	16	3/8	10	1	25	4	102	13.39	6.69
8	8.62	219	12.00	305	0.88	22	1/2	13	1	25	4	102	26.64	13.32
10	10.75	273	14.12	359	1.00	25	1/2	13	1 1/2	38	6	152	43.29	21.65
12	12.75	324	16.50	419	1.12	28	1/2	13	1 1/2	38	6	152	68.6	34.3
14	14.00	356	19.00	483	1.25	32	3/4	19	1 1/2	38	6	152	101.9	50.95
16	16.00	406	21.12	537	1.50	38	3/4	19	1 1/2	38	6	152	143.2	71.6
18	18.00	457	23.38	594	1.62	41	3/4	19	1 1/2	38	6	152	196.5	98.24
20	20.00	508	25.62	651	1.75	44	3/4	19	1 1/2	38	6	152	249	124.5
24	24.00	610	30.38	772	2.00	51	3/4	19	1 1/2	38	6	152	416.3	208.1

**NOTE:** ASME B31.3 para.304.5.4.

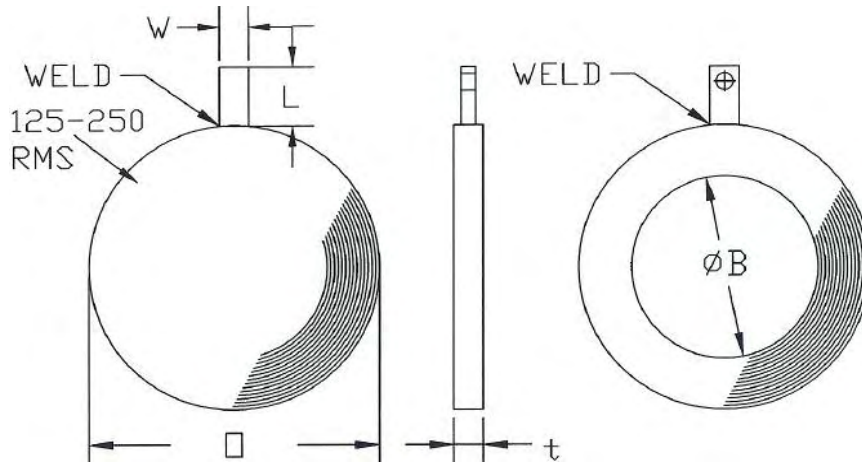
Corrosion allowance is not included in the above calculation. Thicknesses for other materials can be calculated.

Blinds, Spacers or Spectacle manufactured with thicknesses less than specified above will be verified for compliance to ASME B31.3, stamped with the maximum design parameters allowed and will be limited for that application alone.

**Tolerances:** OD + .000, - 0.125, ID + 0.125, - .000, **Thickness** + .062, - .000, or as specified by customer

Blinds over 100lbs will be supplied with a tee handle

Dimension of Class 600 line blind (Spade flange) and spacer Ring



### ASME B16.48 BLINDS AND SPACERS

NPS	Inside Diameter B		Outside Diameter O		Thk t		Handle						Bld	Spr
	In.	mm.	In.	mm.	In.	mm.	t		W		L		Wgt	Wgt
1/2	0.62	16	2.00	51	0.25	6	1/8	3	1	25	4	102	0.33	0.165
3/4	0.82	21	2.50	64	0.25	6	1/8	3	1	25	4	102	0.33	0.17
1	1.05	27	2.75	70	0.25	6	1/8	3	1	25	4	102	0.53	0.27
1 1/4	1.44	37	3.12	79	0.38	10	1/8	3	1	25	4	102	0.73	0.37
1 1/2	1.68	43	3.62	92	0.38	10	1/8	3	1	25	4	102	0.87	0.43
2	2.16	55	4.25	108	0.38	10	1/8	3	1	25	4	102	1.47	0.73
2 1/2	2.64	67	5.00	127	0.50	13	1/4	6	1	25	4	102	2.6	1.3
3	3.26	83	5.75	146	0.50	13	1/4	6	1	25	4	102	3.66	1.83
3 1/2	3.76	96	6.25	159	0.62	16	1/4	6	1	25	4	102	5.86	2.93
4	4.26	108	7.50	191	0.62	16	3/8	10	1	25	4	102	7.99	4
5	5.30	135	9.38	238	0.75	19	1/2	13	1	25	4	102	15.65	7.83
6	6.36	162	10.38	264	0.88	22	1/2	13	1	25	4	102	23.31	11.66
8	8.33	212	12.50	318	1.12	28	3/4	19	1	25	4	102	39.96	19.98
10	10.42	265	15.62	397	1.38	35	3/4	19	1 1/2	38	6	152	78.26	39.13
12	12.39	315	17.88	454	1.62	41	3/4	19	1 1/2	38	6	152	123.2	61.61
14	13.62	346	19.25	489	1.75	44	3/4	19	1 1/2	38	6	152	153.2	76.59
16	15.62	397	22.12	562	2.00	51	3/4	19	1 1/2	38	6	152	226.4	113.2
18	17.62	448	24.00	610	2.12	54	3/4	19	1 1/2	38	6	152	299.7	149.9
20	19.56	497	26.75	679	2.50	64	3/4	19	1 1/2	38	6	152	412.9	206.5
24	23.50	597	31.00	787	2.88	73	3/4	19	1 1/2	38	6	152	649.4	324.7

**NOTE:** ASME B31.3 para.304.5.4.

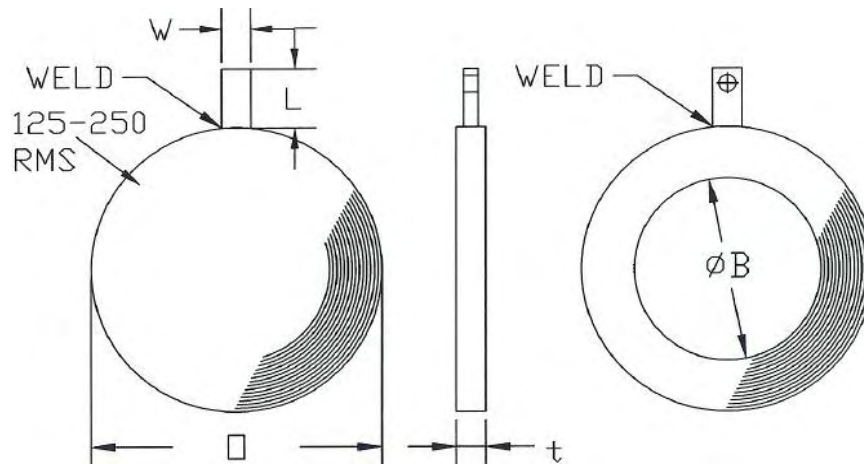
Corrosion allowance is not included in the above calculation. Thicknesses for other materials can be calculated.

Blinds, Spacers or Spectacle manufactured with thicknesses less than specified above will be verified for compliance to ASME B31.3, stamped with the maximum design parameters allowed and will be limited for that application alone.

**Tolerances:** OD + .000, - 0.125, ID + 0.125, - .000, **Thickness** + .062, - .000, or as specified by customer

Blinds over 100lbs will be supplied with a tee handle

Dimension of Class 600 line blind (Spade flange) and spacer Ring



ASME B16.48 BLINDS AND SPACERS

NPS	Inside Diameter B		Outside Diameter O		Thk t		Handle						Bld	Spr
	in.	mm.	in.	mm.	in.	mm.	t		W		L		Wgt	Wgt
1/2	0.62	16	2.38	60	0.25	6	1/8	3	1	25	4	102	0.33	0.17
3/4	0.82	21	2.62	67	0.25	6	1/8	3	1	25	4	102	0.33	0.17
1	1.05	27	3.00	76	0.25	6	1/8	3	1	25	4	102	0.6	0.3
1 1/4	1.44	37	3.38	86	0.38	10	1/8	3	1	25	4	102	0.93	0.47
1 1/2	1.68	43	3.75	95	0.38	10	1/8	3	1	25	4	102	1.2	0.6
2	2.16	55	5.50	140	0.50	13	1/4	6	1	25	4	102	3.13	1.57
2 1/2	2.64	67	6.38	162	0.50	13	1/4	6	1	25	4	102	4.73	2.36
3	3.26	83	6.50	165	0.62	16	1/4	6	1	25	4	102	6.33	3.16
4	4.26	108	8.00	203	0.75	19	3/8	10	1	25	4	102	11.32	5.66
5	5.30	135	9.62	244	0.88	22	3/8	10	1	25	4	102	23.18	11.59
6	6.36	162	11.25	286	1.00	25	1/2	13	1	25	4	102	34.97	17.48
8	8.33	212	14.00	356	1.38	35	1/2	13	1 1/2	38	4	102	64.6	32.3
10	10.42	265	17.00	432	1.62	41	3/4	19	1 1/2	38	6	152	118.6	59.27
12	12.39	315	19.50	495	1.88	48	3/4	19	1 1/2	38	6	152	186.5	93.24
14	13.62	346	20.38	518	2.12	54	3/4	19	1 1/2	38	6	152	203.1	101.6
16	15.62	397	22.50	572	2.38	60	3/4	19	1 1/2	38	6	152	273.1	136.5
18	17.62	448	25.00	635	2.62	67	3/4	19	1 1/2	38	6	152	379	189.8
20	19.56	497	27.38	695	2.88	73	3/4	19	1 1/2	38	6	152	499.5	249.8
24	23.50	597	32.88	835	3.50	89	3/4	19	1 1/2	38	6	152	832.5	416.3

**NOTE:** ASME B31.3 para.304.5.4.

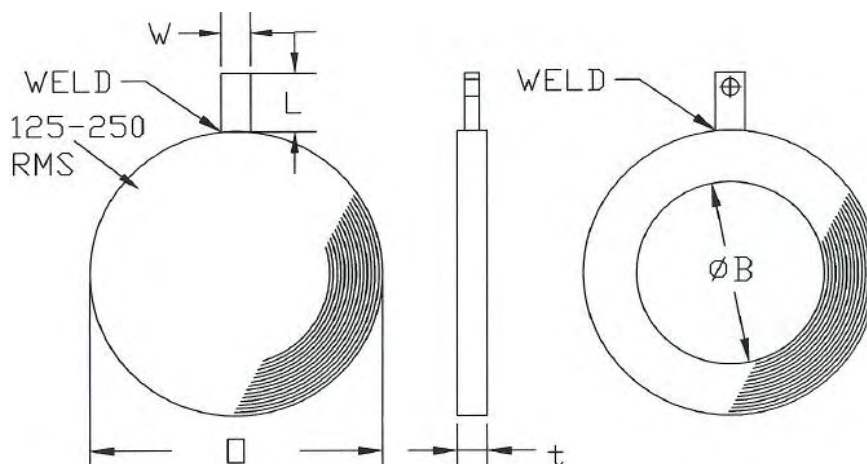
Corrosion allowance is not included in the above calculation. Thicknesses for other materials can be calculated.

Blinds, Spacers or Spectacle manufactured with thicknesses less than specified above will be verified for compliance to ASME B31.3, stamped with the maximum design parameters allowed and will be limited for that application alone.

**Tolerances:** OD + .000, - 0.125, ID + 0.125, - .000, Thickness + .062, - .000, or as specified by customer

Blinds over 100lbs will be supplied with a tee handle

Dimension of Class 1500 line blind (Spade flange) and spacer Ring



ASME B16.48 BLINDS AND SPACERS

NPS	Inside Diameter B		Outside Diameter O		Thk t		Handle						Bld	Spr
	In.	mm.	In.	mm.	In.	mm.	t	W	L	Wgt	Wgt			
1/2	0.62	16	2.38	60	0.25	6	1/8	3	1	25	4	102	0.4	0.2
3/4	0.82	21	2.62	67	0.38	10	1/8	3	1	25	4	102	0.73	0.37
1	1.05	27	3.00	76	0.38	10	1/8	3	1	25	4	102	0.93	0.47
1 1/4	1.38	35	3.38	86	0.38	10	1/8	3	1	25	4	102	1.2	0.6
1 1/2	1.61	41	3.75	95	0.50	13	1/4	6	1	25	4	102	1.86	0.93
2	2.07	53	5.50	140	0.50	13	1/4	6	1	25	4	102	4.2	2.1
2 1/2	2.47	63	6.38	162	0.62	16	1/2	13	1	25	4	102	6.93	3.46
3	3.07	78	6.75	171	0.75	19	1/2	13	1	25	4	102	9.32	4.66
4	5.05	102	8.12	206	0.88	22	1/2	13	1	25	4	102	14.65	7.33
5	6.06	128	9.88	251	1.12	28	3/4	19	1	25	4	102	27.97	13.99
6	7.98	154	11.00	279	1.38	35	3/4	19	1	25	4	102	41.96	20.98
8	10.02	203	13.75	349	1.62	41	3/4	19	1	25	4	102	75.26	37.63
10	11.94	255	17.00	432	2.00	51	3/4	19	1 1/2	38	6	152	141.9	70.93
12	13.12	303	20.38	518	2.38	60	3/4	19	1 1/2	38	6	152	176.5	88.25
14	15.00	333	22.62	575	2.62	67	3/4	19	1 1/2	38	6	152	331	165.5
16	16.88	381	25.12	638	3.00	76	3/4	19	1 1/2	38	6	152	461.5	230.8
18	18.81	429	27.62	702	3.38	86	3/4	19	1 1/2	38	6	152	622	311
20	18.81	478	29.62	752	3.75	95	3/4	19	1 1/2	38	6	152	779.2	389.6
24	22.62	575	35.38	899	4.38	111	3/4	19	1 1/2	38	6	152	1030	515.2

**NOTE:** ASME B31.3 para.304.5.4.

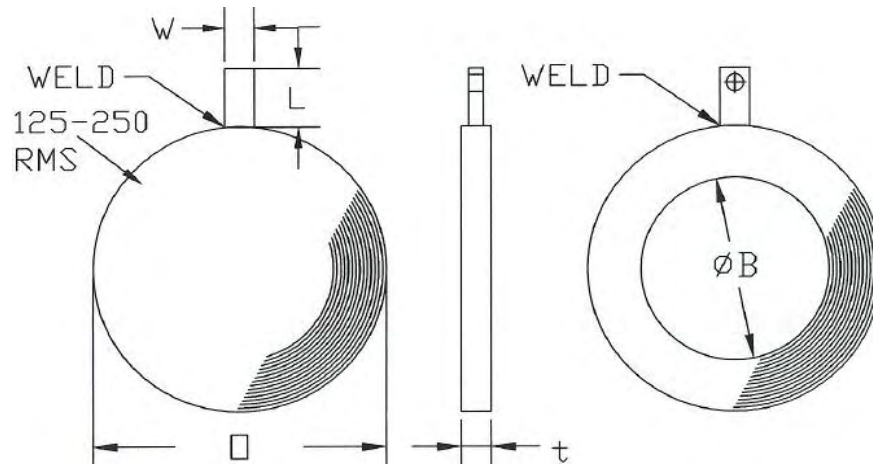
Corrosion allowance is not included in the above calculation. Thicknesses for other materials can be calculated.

Blinds, Spacers or Spectacle manufactured with thicknesses less than specified above will be verified for compliance to ASME B31.3, stamped with the maximum design parameters allowed and will be limited for that application alone.

**Tolerances:** OD + .000, - 0.125, ID + 0.125, - .000, Thickness + .062, - .000, or as specified by customer

Blinds over 100lbs will be supplied with a tee handle

Dimension of Class 2500 line blind (Spade flange) and spacer Ring



ASME B16.48 BLINDS AND SPACERS

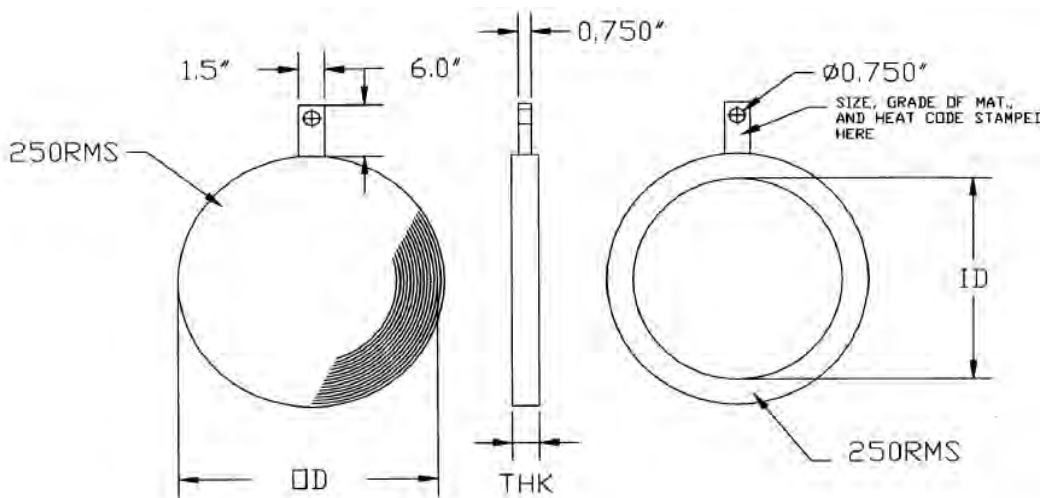
NPS	Inside Diameter B		Outside Diameter O		Thk t		Handle						Bld	Spr
	In.	mm.	In.	mm.	In.	mm.	t		W		L		Wgt	Wgt
							In.	mm.	In.	mm.	In.	mm.		
1/2	0.62	16	2.62	67	0.38	10	1/8	3	1	25	4	102	0.73	0.37
3/4	0.82	21	2.88	73	0.38	10	1/8	3	1	25	4	102	0.87	0.43
1	1.05	27	3.25	83	0.38	10	1/8	3	1	25	4	102	1.13	0.57
1 1/4	1.38	35	4.00	102	0.50	13	1/4	6	1	25	4	102	2.26	1.13
1 1/2	1.61	41	4.50	114	0.62	16	1/4	6	1	25	4	102	3.46	1.73
2	2.07	53	5.62	143	0.62	16	1/4	6	1	25	4	102	5.39	2.7
2 1/2	2.47	63	6.50	165	0.75	19	1/2	13	1	25	4	102	8.72	4.36
3	3.07	78	7.62	194	0.88	22	1/2	13	1	25	4	102	13.99	6.99
4	4.03	102	9.12	232	1.12	28	1/2	13	1	25	4	102	24.64	12.32
5	5.05	128	10.88	276	1.38	35	3/4	19	1	25	4	102	43.29	21.65
6	6.06	154	12.38	314	1.62	41	3/4	19	1	25	4	102	64.6	32.3
8	7.81	198	15.12	384	2.12	54	3/4	19	1	25	4	102	124.5	62.27
10	9.75	248	18.62	473	2.62	67	3/4	19	1 1/2	38	6	152	232.4	116.2
12	11.37	289	21.50	546	3.12	79	3/4	19	1 1/2	38	6	152	368.3	184.2

**NOTE:**

Corrosion allowance is not included in the above calculation. Thicknesses for other materials can be calculated.  
Blinds, Spacers or Spectacle manufactured with thicknesses less than specified above will be verified for compliance to ASME B31.3, stamped with the maximum design parameters allowed and will be limited for that application alone.  
**Tolerances:** OD + .000, - 0.125, ID + 0.125, - .000, **Thickness** + .062, - .000, or as specified by customer  
Blinds over 100lbs will be supplied with a tee handle



Dimension of line blind (Spade flange) and spacer Ring



A516 GR70N TO SUIT ASME B16.47 SERIES A FLANGES

PIPE SIZE	CLASS 150			CLASS 300			CLASS 600		
	THK	OD	ID	THK	OD	ID	THK	OD	ID
26	1.75	30.375	25.25	2.063	32.75	25.25	2.875	34	25.25
28	1.75	32.625	27.25	2.125	35.25	27.25	3	35.875	27.25
30	1.75	34.625	29.25	2.375	37.375	29.25	3.375	38.125	29.25
32	1.75	36.875	31.25	2.5	39.5	31.25	3.5	40.125	31.25
34	2	38.875	33.25	2.625	41.5	33.25	3.75	42.125	33.25
36	2	41.125	35.25	3	43.875	35.25	4	44.375	35.25
38	2	43.625	37.25	3	41.375	37.25	4.125	43.375	37.25
40	2	45.625	39.25	3.125	43.75	39.25	4.375	45.375	39.25
42	2.25	47.875	41	3.25	45.75	41	4.5	47.875	41
44	2.25	50.125	43	3.5	47.875	43	4.75	49.375	43
46	2.5	52.125	45	3.625	50	45	5	52.125	45
48	2.5	54.375	47	3.75	52	47	5.375	54.625	47
50	2.5	56.375	49	4	54.125	49	5.5	56.875	49
52	2.75	58.375	51	4	56.125	51	5.75	58.875	51
54	2.75	60.875	53	4.25	58.625	53	5.875	61.125	53
56	2.875	63.125	55	4.375	60.625	55	6.125	63.375	55
58	2.875	65.375	57	4.5	62.625	57	6.375	65.375	57
60	3.125	67.375	59	4.625	64.625	59	6.5	68.125	59
CAT. PAGE C4 - A			CAT. PAGE C5 - A			CAT. PAGE C6 - A			

**NOTE:**

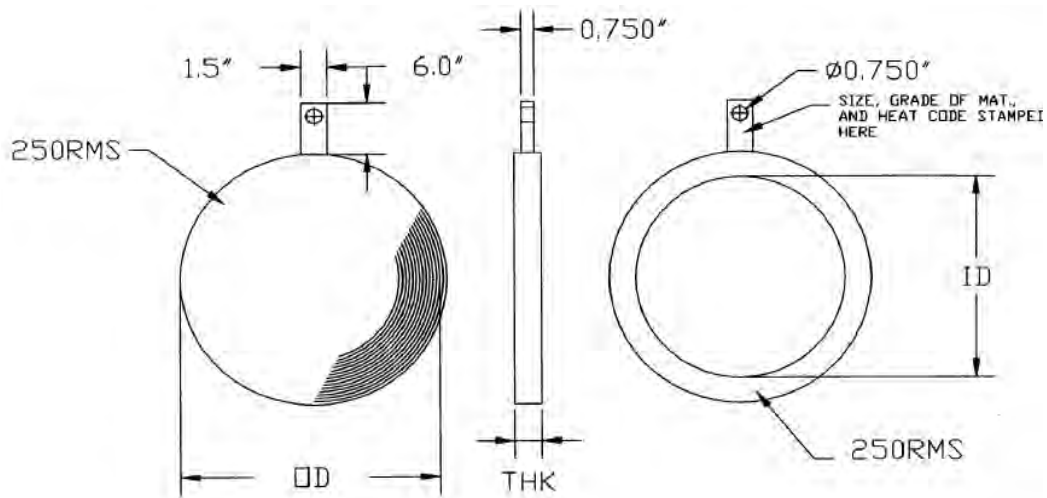
ASME B31.3 para.304.5.4.

Corrosion allowance is not included in the above calculation. Thicknesses for other materials can be calculated.

Blinds, Spacers or Spectacle manufactured with thicknesses less than specified above will be verified for compliance to ASME B31.3, stamped with the maximum design parameters allowed and will be limited for that application alone.

**Tolerances:** OD + .000, - 0.125, ID + 0.125, - .000, Thickness + .062, - .000, or as specified by customer

Blinds over 100lbs will be supplied with a tee handle



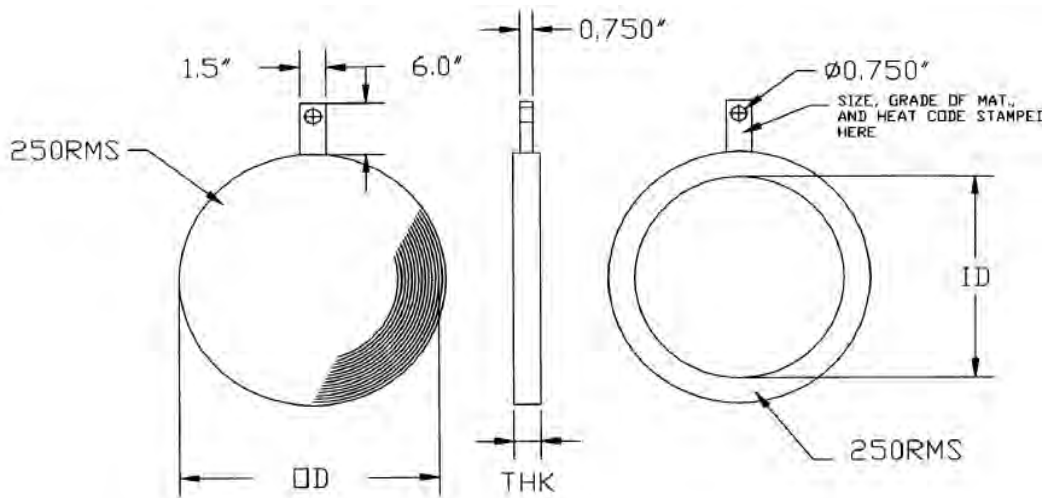
### A516 GR70N TO SUIT ASME B16.47 SERIES B FLANGES

PIPE SIZE	CLASS 150			CLASS 300			CLASS 600		
	THK	OD	ID	THK	OD	ID	THK	OD	ID
26	1.75	28.438	25.25	2.063	30.25	25.25	2.875	30	25.25
28	1.75	30.437	27.25	2.125	32.375	27.25	3	32.125	27.25
30	1.75	32.437	29.25	2.375	34.75	29.25	3.375	34.5	29.25
32	1.75	34.56	31.25	2.5	36.875	31.25	3.5	36.625	31.25
34	2	36.69	33.25	2.625	39	33.25	3.75	39.125	33.25
36	2	38.75	35.25	3	41.125	35.25	4	41.25	35.25
38	2	41	37.25	3	43.125	37.25			
40	2	43	39.25	3.125	45.125	39.25			
42	2.25	45	41	3.25	47.125	41			
44	2.25	47	43	3.5	49.125	43			
46	2.5	49.31	45	3.625	51.75	45			
48	2.5	51.312	47	3.75	53.75	47			
50	2.5	53.312	49	4	55.75	49			
52	2.75	55.312	51	4	57.75	51			
54	2.75	57.5	53	4.25	60.125	53			
56	2.875	59.5	55	4.375	62.625	55			
58	2.875	62.062	57	4.5	65.065	57			
60	3.125	64.062	59	4.625	67.065	59			
	CAT. PAGE C4 - B			CAT. PAGE C5 - B			CAT. PAGE C6 - B		

**NOTE:**

Corrosion allowance is not included in the above calculation. Thicknesses for other materials can be calculated. Blinds, Spacers or Spectacle manufactured with thicknesses less than specified above will be verified for compliance to ASME B31.3, stamped with the maximum design parameters allowed and will be limited for that application alone. **Tolerances: OD + .000, - 0.125, ID + 0.125, - .000, Thickness + .062, - .000, or as specified by customer** Blinds over 100lbs will be supplied with a tee handle





### A316SS TO SUIT ASME B16.47 SERIES A FLANGES

PIPE SIZE	CLASS 150			CLASS 300			CLASS 600		
	THK	OD	ID	THK	OD	ID	THK	OD	ID
26	1.5	30.375	25.25	2.250	32.75	25.25	3	34	25.25
28	1.75	32.625	27.25	2.375	35.25	27.25	3.25	35.875	27.25
30	1.75	34.625	29.25	2.5	37.375	29.25	3.5	38.125	29.25
32	1.75	36.875	31.25	2.75	39.5	31.25	3.75	40.125	31.25
34	2	38.875	33.25	2.875	41.5	33.25	4	42.125	33.25
36	2	41.125	35.25	3	43.875	35.25	4.25	44.375	35.25
38	2	43.625	37.25	3.25	41.375	37.25	4.5	43.375	37.25
40	2.125	45.625	39.25	3.375	43.75	39.25	4.75	45.375	39.25
42	2.25	47.875	41	3.5	45.75	41	5	47.875	41
44	2.25	50.125	43	3.75	47.875	43	5.125	49.375	43
46	2.5	52.125	45	3.875	50	45	5.375	52.125	45
48	2.5	54.375	47	4.125	52	47	5.75	54.625	47
50	2.625	56.375	49	4.125	54.125	49	5.875	56.875	49
52	2.75	58.375	51	4.375	56.125	51	6.125	58.875	51
54	2.875	60.875	53	4.5	58.625	53	6.375	61.125	53
56	2.875	63.125	55	4.75	60.625	55	6.5	63.375	55
58	3	65.375	57	4.875	62.625	57	6.75	65.375	57
60	3.125	67.375	59	5	64.625	59	7	68.125	59
	CAT. PAGE C4 - C			CAT. PAGE C5 - C			CAT. PAGE C6 - C		

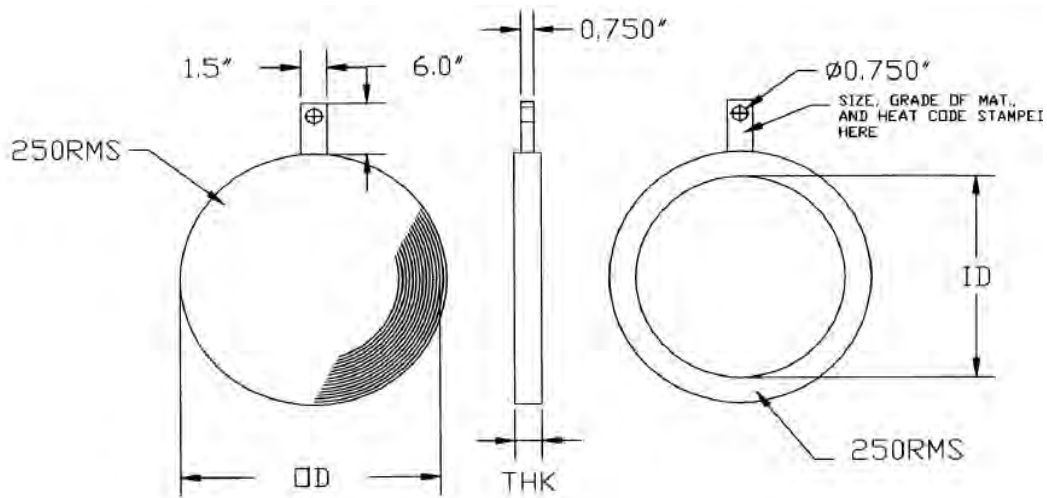
**NOTE:**

Corrosion allowance is not included in the above calculation. Thicknesses for other materials can be calculated.

Blinds, Spacers or Spectacle manufactured with thicknesses less than specified above will be verified for compliance to ASME B31.3, stamped with the maximum design parameters allowed and will be limited for that application alone.

**Tolerances:** OD + .000, - 0.125, ID + 0.125, - .000, Thickness + .062, - .000, or as specified by customer

Blinds over 100lbs will be supplied with a tee handle



### A316 TO SUIT ASME B16.47 SERIES B FLANGES

PIPE SIZE	CLASS 150			CLASS 300			CLASS 600		
	THK	OD	ID	THK	OD	ID	THK	OD	ID
26	1.5	28.438	25.25	2.250	30.25	25.25	3	30	25.25
28	1.75	30.437	27.25	2.375	32.375	27.25	3.25	32.125	27.25
30	1.75	32.437	29.25	2.5	34.75	29.25	3.5	34.5	29.25
32	1.75	34.56	31.25	2.75	36.875	31.25	3.75	36.625	31.25
34	2	36.69	33.25	2.875	39	33.25	4	39.125	33.25
36	2	38.75	35.25	3	41.125	35.25	4.25	41.25	35.25
38	2	41	37.25	3.25	43.125	37.25			
40	2.125	43	39.25	3.375	45.125	39.25			
42	2.25	45	41	3.5	47.125	41			
44	2.25	47	43	3.75	49.125	43			
46	2.5	49.31	45	3.875	51.75	45			
48	2.5	51.312	47	4.125	53.75	47			
50	2.625	53.312	49	4.125	55.75	49			
52	2.75	55.312	51	4.375	57.75	51			
54	2.875	57.5	53	4.5	60.125	53			
56	2.875	59.5	55	4.75	62.625	55			
58	3	62.062	57	4.875	65.065	57			
60	3.125	64.062	59	5	67.065	59			
CAT. PAGE C4 - D			CAT. PAGE C5 - D			CAT. PAGE C6 - D			

**NOTE:**

Corrosion allowance is not included in the above calculation. Thicknesses for other materials can be calculated.

Blinds, Spacers or Spectacle manufactured with thicknesses less than specified above will be verified for compliance to ASME B31.3, stamped with the maximum design parameters allowed and will be limited for that application alone.

**Tolerances:** OD + .000, - 0.125, ID + 0.125, - .000, Thickness + .062, - .000, or as specified by customer

Blinds over 100lbs will be supplied with a tee handle